



200W (1/3.7 HP)

TERMINAL BOX TYPE INDUCTION MOTORS Frame size 90mm sq. (3.54 in. sq.)

Three-Phase

BOX TYPE

SPECIFICATIONS

CONTINUOUS DUTY, INSULATION CLASS A or E, 4POLES

Model	Output		Voltage	Frequency	Rated						Starting Torque			Capacitor
					Input	Current	Torque			Speed				
	(HP)	(W)	(V)	(Hz)	(W)	(A)	(kg-cm)	(N-m)	(oz-in)	(rpm)	(kg-cm)	(N-m)	(oz-in)	(μ F)
L9I200□U HTB	1/3.7	200	3 ϕ 200	50	280	1.00	15	1.470	208.30	1300	31	3.038	430.50	-
				60	280	0.90	12.6	1.235	174.98	1550	24	2.352	333.29	
L9I200□T HTB	1/3.7	200	3 ϕ 200~230	50	350	1.20	15	1.470	208.30	1300	40	3.920	555.48	-
				60	350	1.10	12.6	1.235	174.98	1550	30	2.940	416.61	
L9I200□S HTB	1/3.7	200	3 ϕ 380~415	50	350	0.69	15	1.470	208.30	1300	40	3.920	555.48	-
				60	350	0.64	12.6	1.235	174.98	1550	30	2.940	416.61	
L9I200□R HTB	1/3.7	200	3 ϕ 440	50	350	0.60	15	1.470	208.30	1300	40	3.920	555.48	-
				60	350	0.55	12.6	1.235	174.98	1550	30	2.940	416.61	

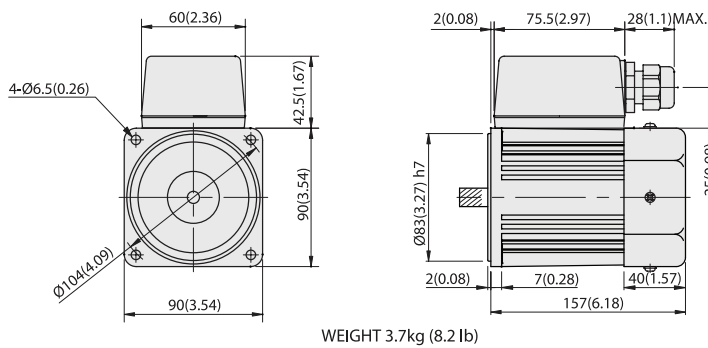
* In case of some models certificated for export, the special cord like CE or UL is added after the existing model no. ex) L9I60□XH-CE, L9I60□EH-UL.
 * Insulation class for motors which acquired certificates for export is B.

TERMINAL BOX TYPE INDUCTION MOTORS

DIMENSIONS

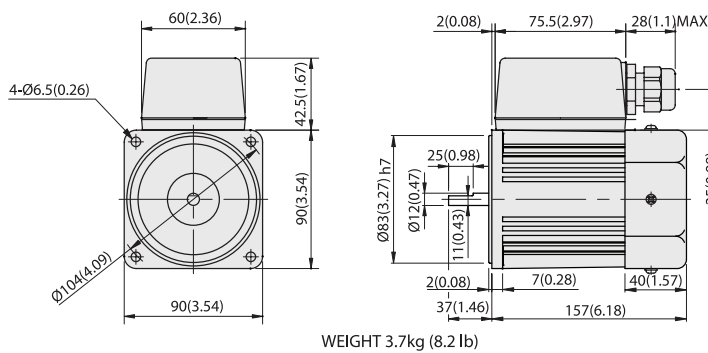
L9I200P□HTB

Unit : mm(inch)



WEIGHT 3.7kg (8.2 lb)

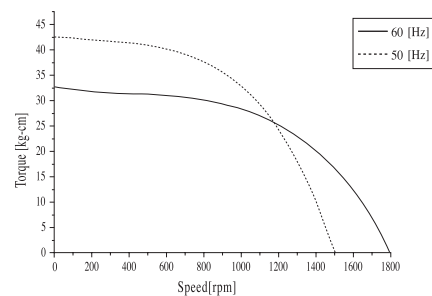
L9I200D□LTB



WEIGHT 3.7kg (8.2 lb)

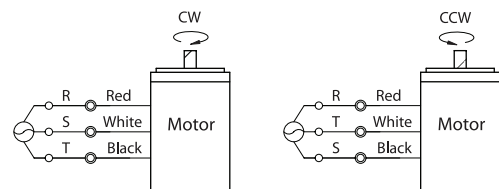
SPEED-TORQUE CURVE

Three phase L9I200□□HTB



CONNECTION DIAGRAMS

Standard or T.P



The direction of rotation is seen from the end of motor shaft.

